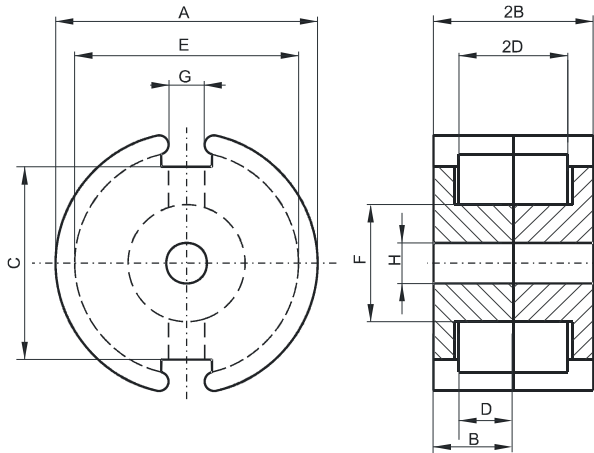


Specification for:

0F43622UG

110 Delta Drive
Pittsburgh, PA 15238
Phone: 412/696-1333
Fax: 412/696-0333
Email: magnetics@spang.com

DIMENSIONS



(mm)	Nominal:	Tol. min.:	Tol. max.:
A	35.6	-0.6	+ 0.6
B	10.95	-0.05	+ 0.05
2B	21.9	-0.1	+ 0.1
C	26.2	-0.6	+ 0.6
D	7.3 Min.		
2D	14.6 Min.		
E	30.4	-0.5	+ 0.5
F	15.9	-0.3	+ 0.3
G	4.9	-0.6	+ 0.6
H	5.55	-0.15	+ 0.15
Eff. Parameters			
Ae mm²	Amin mm²	le mm	Ve mm³
202.0	172.0	53.2	10700

INDUCTANCE

AL value (nH)	Test conditions
10200 ± 25%	10 kHz, < 0.5 mT, 25 °C

MARKING

0F43622UG PXXXXX

CORE LOSSES

P _i max	Test conditions
234 mW/cm ³ (2.5 W/set)	25 kHz, 200 mT, 100 °C

NOTE

Spec. modifications	Previous	Revised
2005-06-22	A=35.6±0.51 C=26.8 Nom. F=16.1 Max. H=5.56±0.1 Losses: General F material	A=35.6±0.6 C=26.2±0.6 F=16.2 Max. H=5.55±0.15 Losses: Detail as indicated